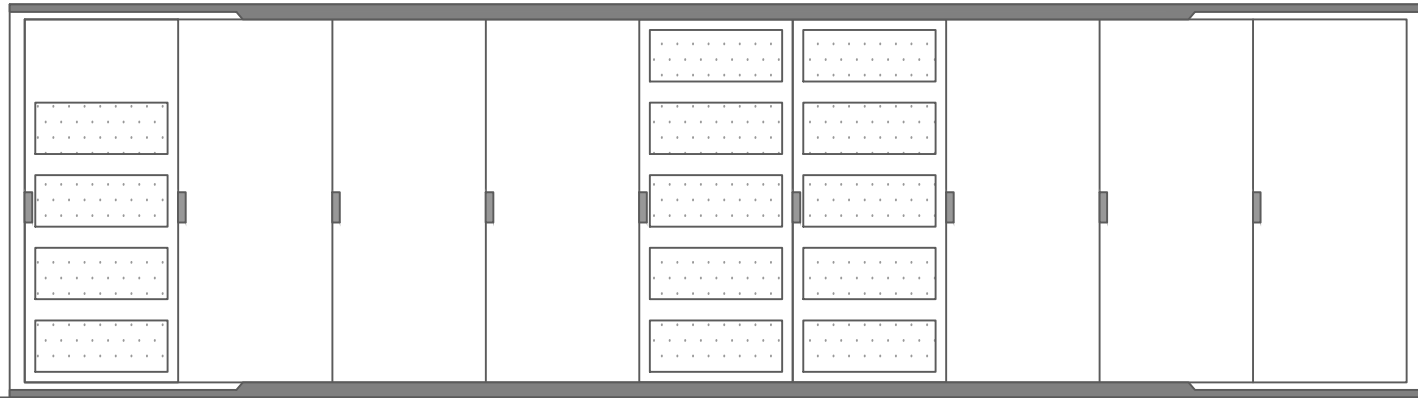
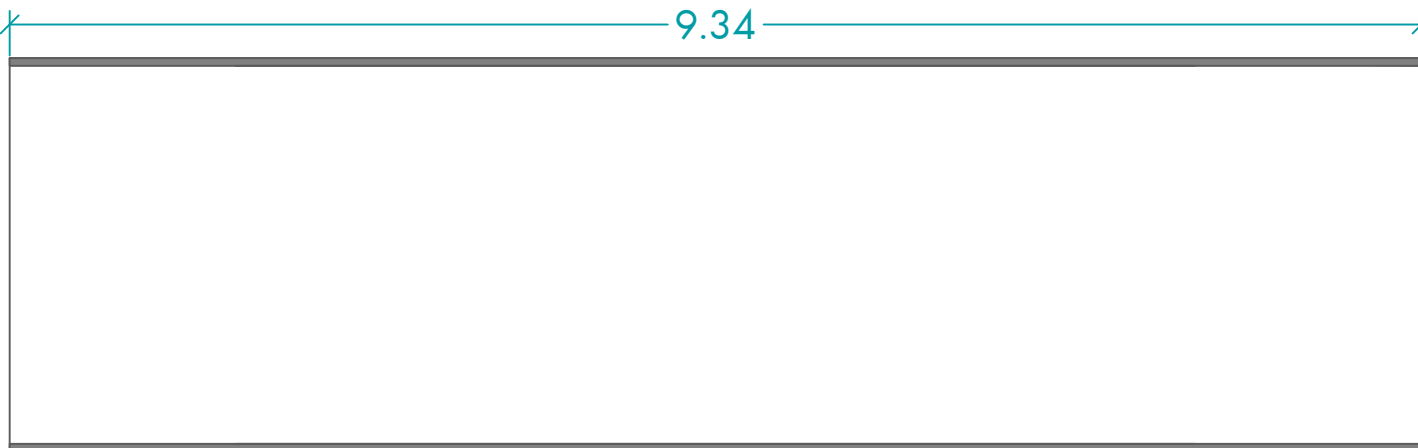


Battery Storage

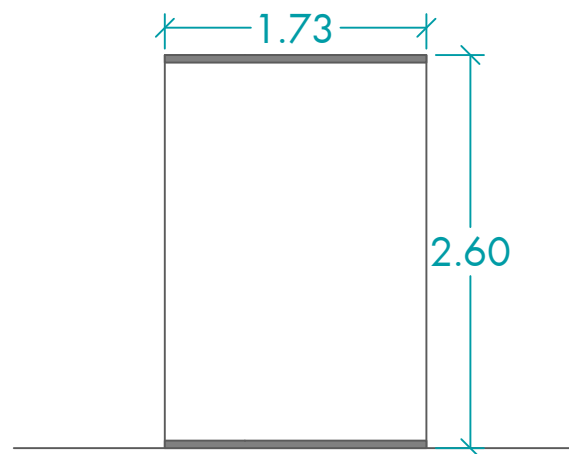
Side Elevation



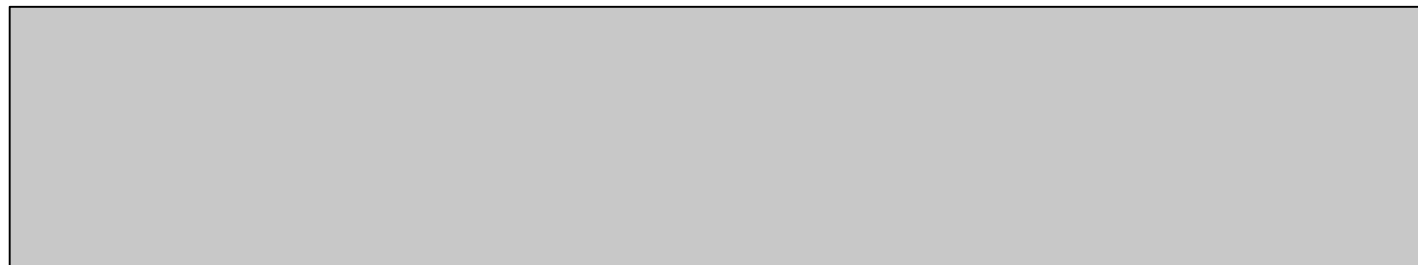
Side Elevation



End Elevation

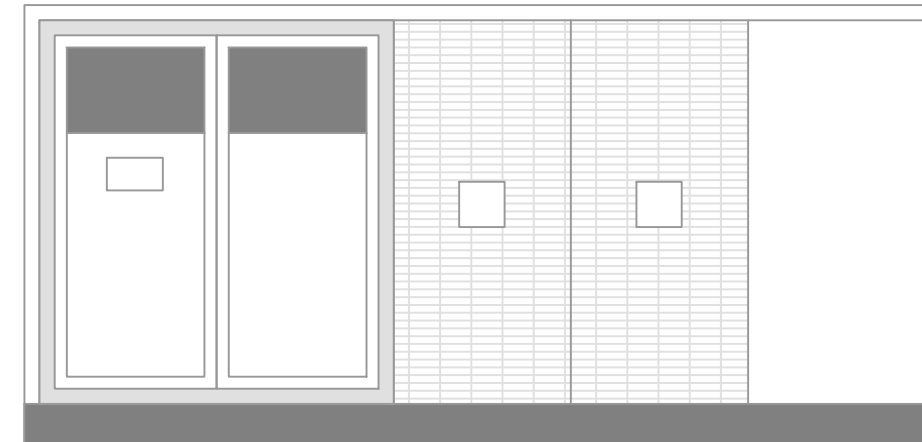


Plan View



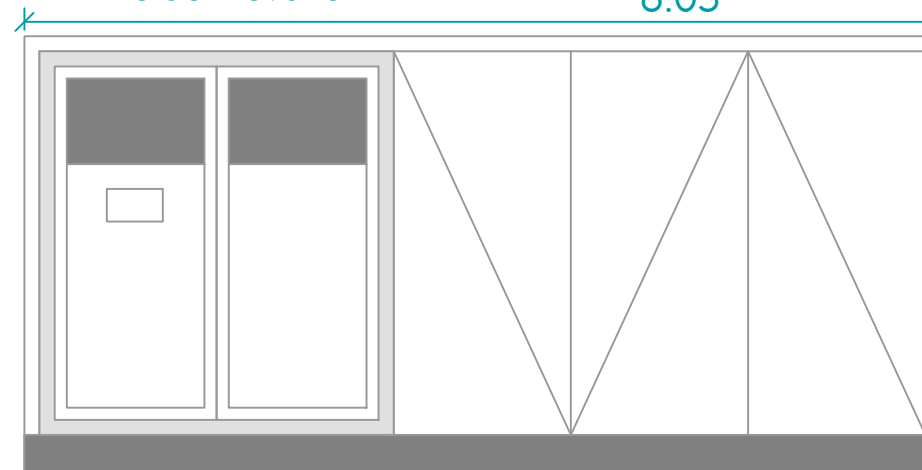
Power Conversion System

Side Elevation

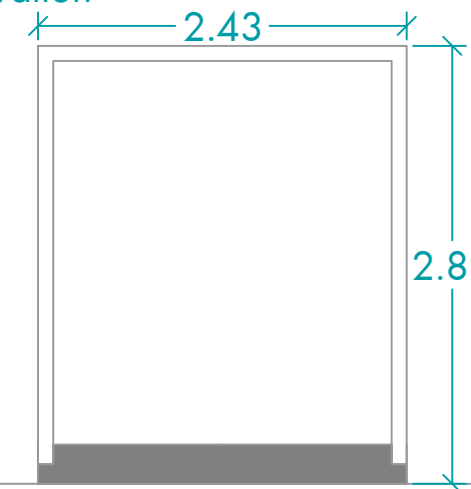


Side Elevation

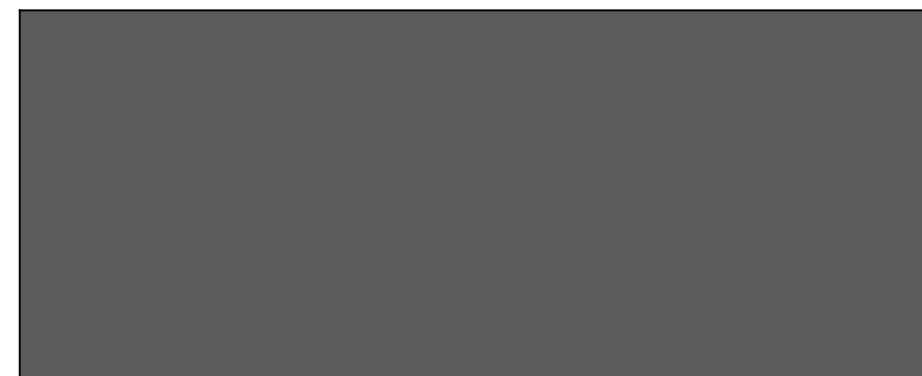
6.05



End Elevation



Plan View



Appendix

1.3

Battery Storage and PCS Unit Elevations

Drawing Details
Drawing detailing the elevations for the Battery Energy Storage System (BESS) and the Power Conversion System (PCS) units.

Elevations are representative of Sungrow ST2752UX-US and SC5000UD-MV systems.

Scale at A3 1:50



Client Name Advance Grid Solutions Limited
Project Name Muttonhole Road BESS
Drawing Reference COG511/APP/016/a
Date 29/08/24

This drawing is the property of Cogeo Planning & Environmental Services Ltd. Copyright is reserved by them & the drawing is issued on the condition that it is not copied either wholly or in any part without the written consent of Cogeo. Ordnance Survey © Crown Copyright 2023. All rights reserved. Licence number 100022432